



SVS VALVE PLUG

7000-29341-0000000

URL:<https://www.sxplc.com/svs-valve-plug-7000-29341-0000000>

Product data sheet

SVS VALVE PLUG FORM A 18MM FIELD-WIREABLE

24...230V LED PG9

Form A (18 mm) for pressure switch

24...230 V AC/DC

LED red (2) green (1)

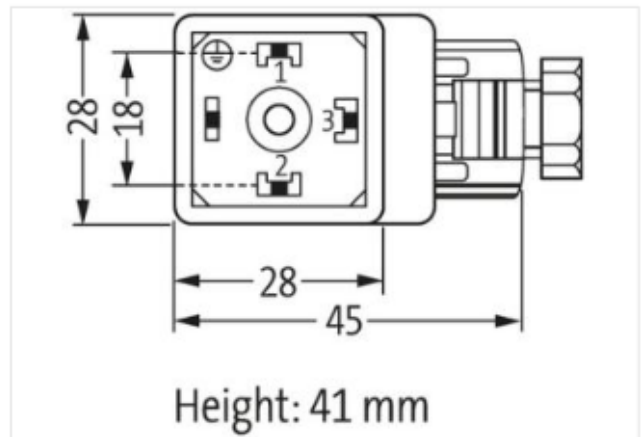
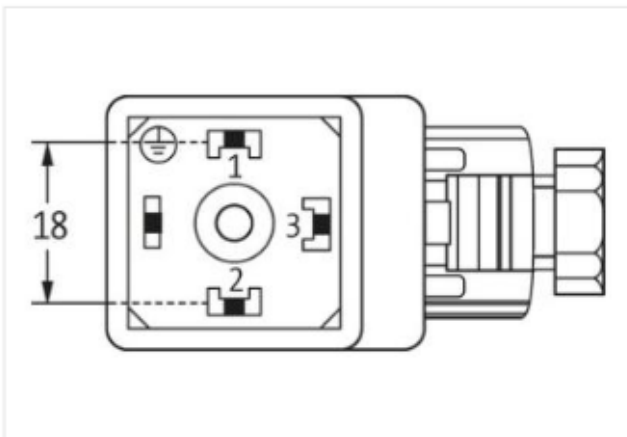
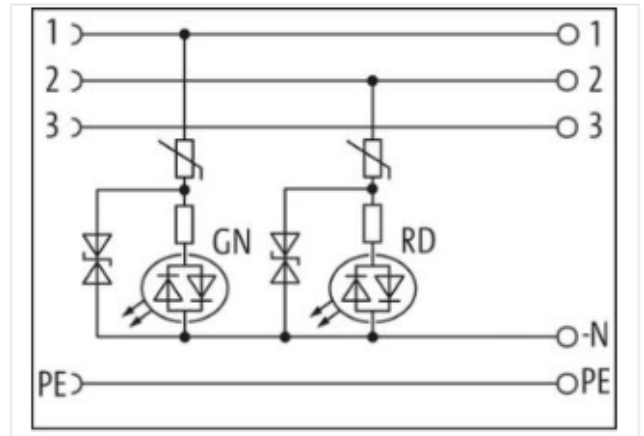
PG9

Plastic housings with good resistance against chemicals and oils.

The resistance to aggressive media should be individually tested for your application. Further details on request.

[Link to Product](#)

Illustration



Product may differ from image

