

Bearings NUTR 3580-A

URL:<https://www.sxplc.com/bearings-nutr-3580-a>

Product data sheet

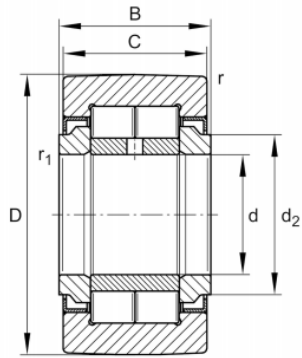
NUTR3580

Yoke type track roller

Yoke type track rollers NUTR, full

complement cylindrical roller set, with axial

guidance, labyrinth seals on both sides



Main Dimensions & Performance Data

d	35 mm	Bore diameter
D	80 mm	Outside diameter
B	29 mm	Width of the bearing
$C_{r w}$	52.000 N	Basic dynamic load rating, radial
$C_{0 r w}$	77.000 N	Basic static load rating, radial
$C_{u r w}$	10.500 N	Fatigue load limit, radial
$n_{D G}$	2.100 1/min	Speed on permanent grease lubrication
$F_{0 r per}$	77.000 N	Permissible static load, radial
$F_{r per}$	76.000 N	Permissible dynamic load outer ring, radial
$\approx m$	859,12 g	Weight

Dimensions

C	28 mm	Width, outer ring
d_2	44 mm	Stop diameter of thrust washer
r_{min}	1,1 mm	Minimum chamfer dimension
$r_{1 min}$	0,6 mm	Minimum chamfer dimension

