



Brushless DC Motor Driver, BLE2D60-C

URL: <https://www.sxplc.com/brushless-dc-motor-driver-ble2d60-c>

Product data sheet

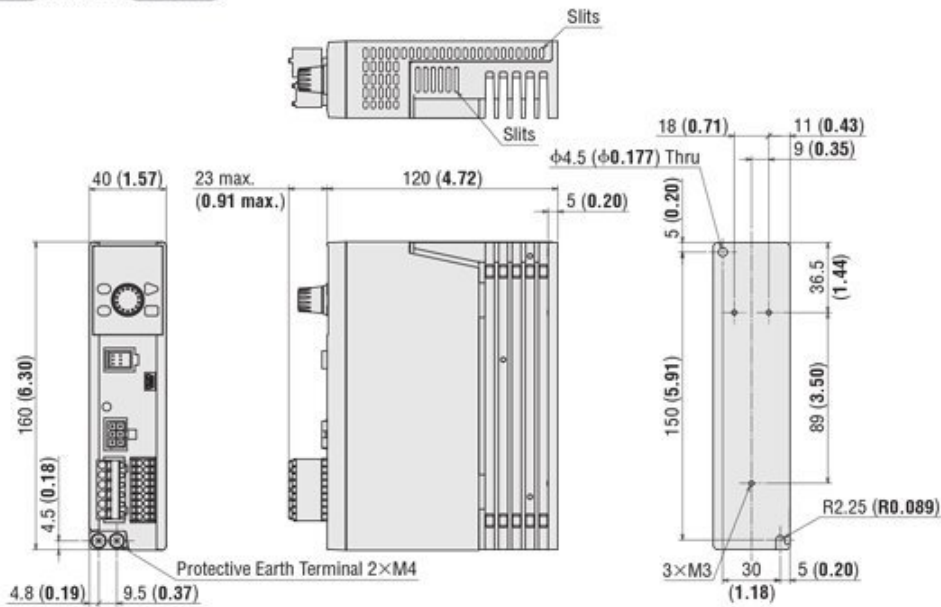
■ Dimensions Unit = mm (in.)

● Driver

BLE2D30-A, BLE2D30-C, BLE2D60-A, BLE2D60-C, BLE2D120-A, BLE2D120-C, BLE2D200-C, BLE2D400-S

Mass: 0.8 kg (1.76 lb.)

2D CAD A1461 **3D CAD**



Single-Phase, Three-Phase

