



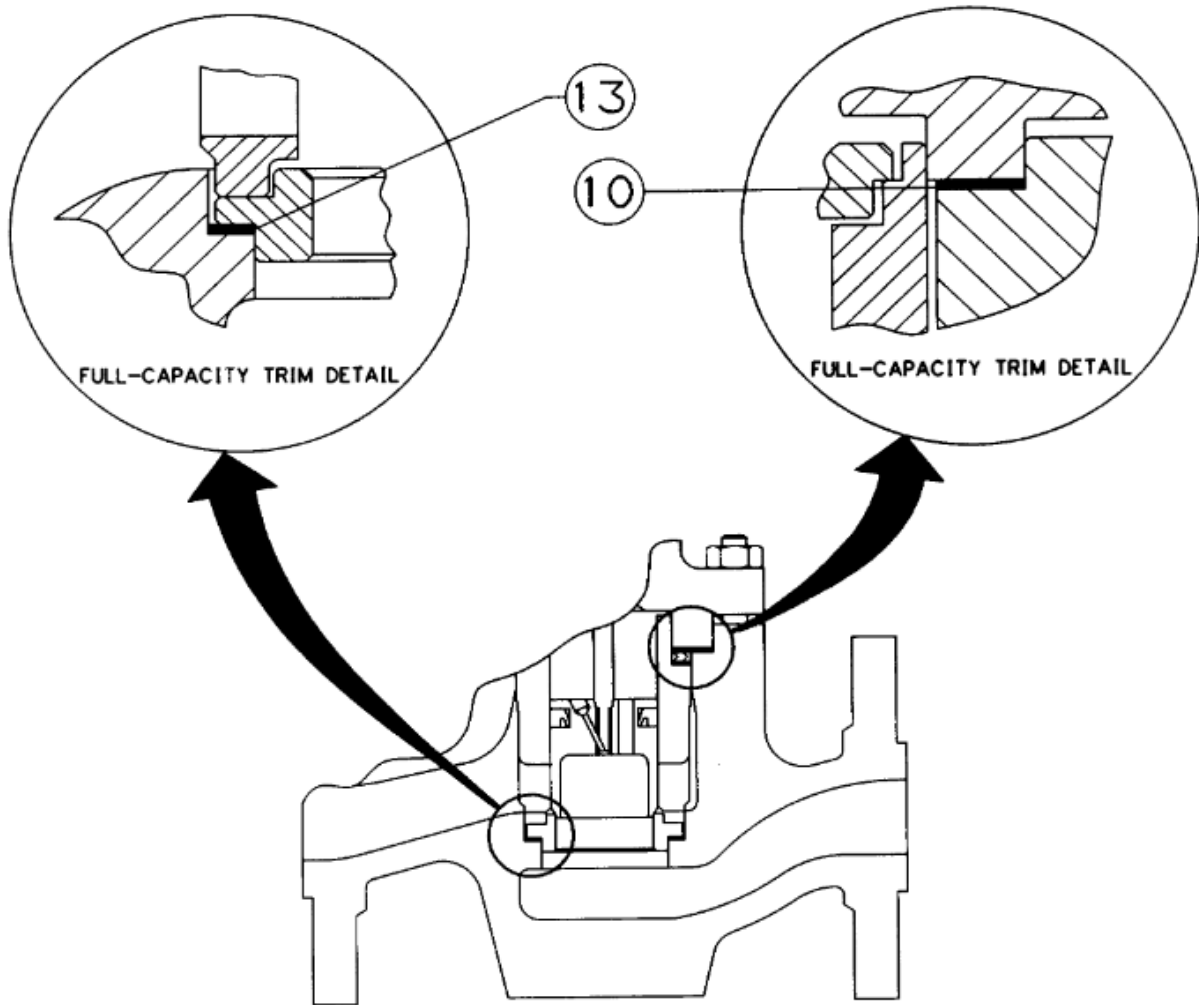
## **Gasket Assembly RGASKETX232**

URL:<https://www.sxplc.com/gasket-assembly-rgasketx232>

### **Product data sheet**

**RGASKETX232 -325 TO 1100°F (-198 to 593°C)**

For necessary information concerning the installation of this gasket kit, please consult the appropriate Fisher product instruction manual.



| <u>Key No.</u> | <u>Part Name</u> | <u>Outside Diameter</u> |
|----------------|------------------|-------------------------|
| 10             | Bonnet Gasket    | 11.00 Inches            |
| 13             | Seat Ring Gasket | 9.19 Inches             |

**Gasket Sizing Key**

