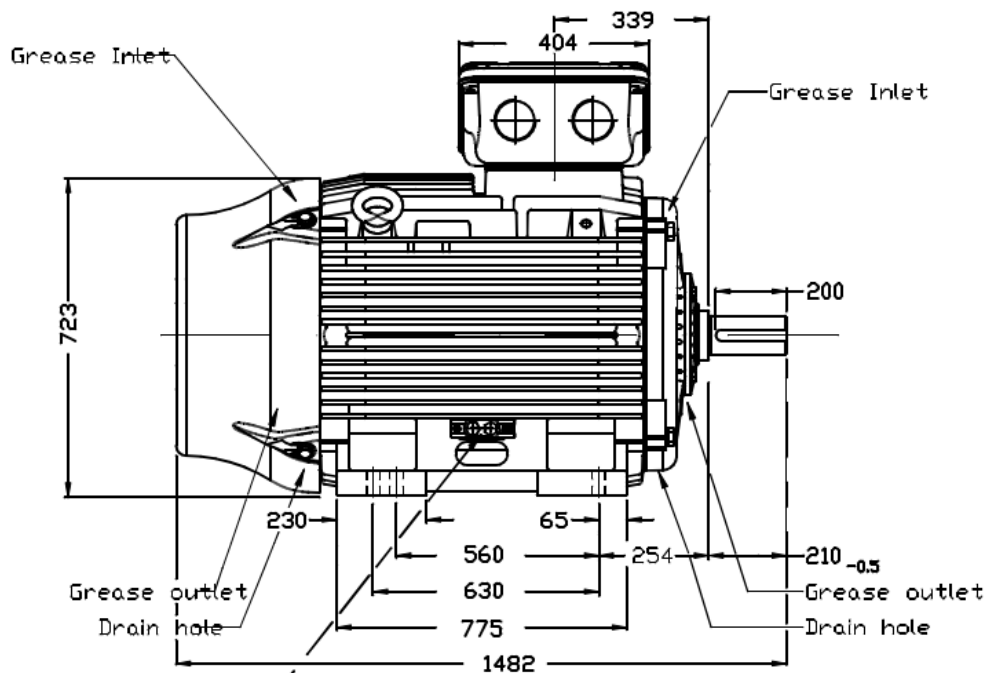


Motor W22-355ML-4P-B3T-TEFC

URL: <https://www.sxplc.com/motor-w22-355ml-4p-b3t-tefc>

Product data sheet



Grounding for leads 25-185 mm² / 3AWG-350MCM

