



Explosion proof axial wall fan □EZQ

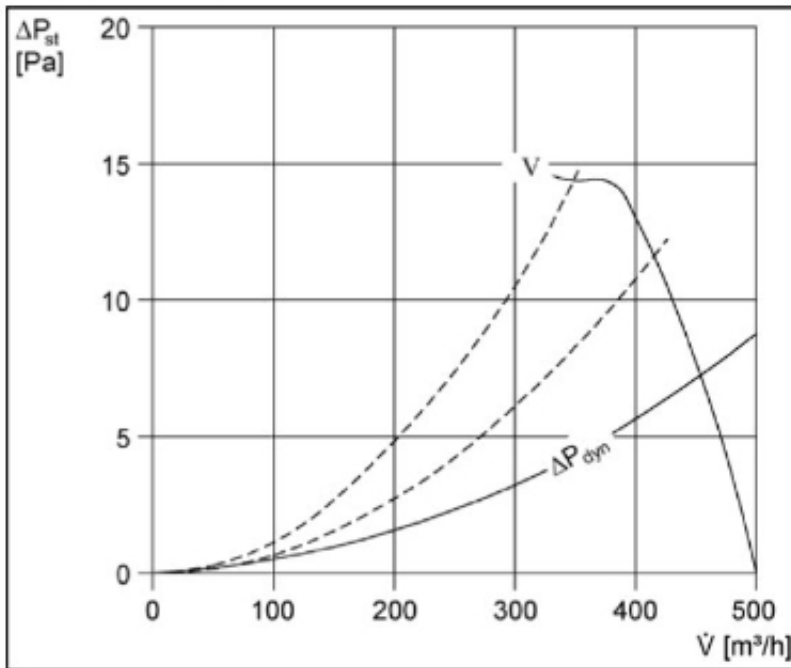
20/4-E E Ex e

URL:<https://www.sxplc.com/explosion-proof-axial-wall-fan-ezq-20-4-e-e-ex-e>

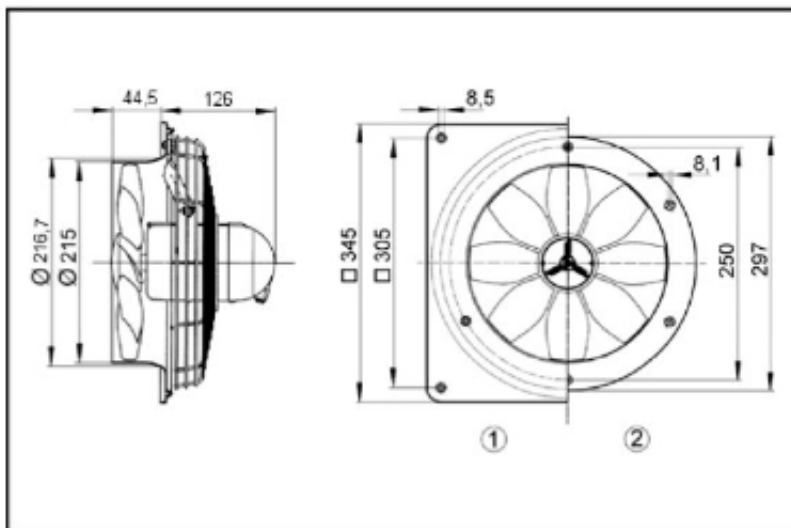
Product data sheet

Article	EZQ 20/4E E Ex e
Model	Square wall plate
Air flow volume	440 m ³ /h
Rotating speed	1,340 1/min
Type of voltage	Alternating current
Rated voltage	230 V
Frequency	50 Hz
Power consumption	45 W
I_{nom}	0.32 A
I_{Max}	0.32 A
I_A / I_N	1.5
Degree of protection (IP)	54
Insulation class	B
Type of installation	Surface-mounted
Installation position	vertical, horizontal
Housing material	Sheet steel, galvanised
Weight	3.8 kg
Nominal size	200 mm
Airstream temperature at I_{Max}	40 °C
Explosion protection	Ex II 2G
Temperature class	T3
Sortiment	C
EAN	4012799838500
Article number	0083.0850
Aggregate level L_{WA7} , high (housing and free inlet sound pressure level)	57 dB(A)

Characteristic curve



Dimensions [mm]



- ① Steel wall plate = EZQ/DZQ model
- ② Steel wall ring = EZS/DZS model

