



Check Valves-POCV-12-N-F-0-030

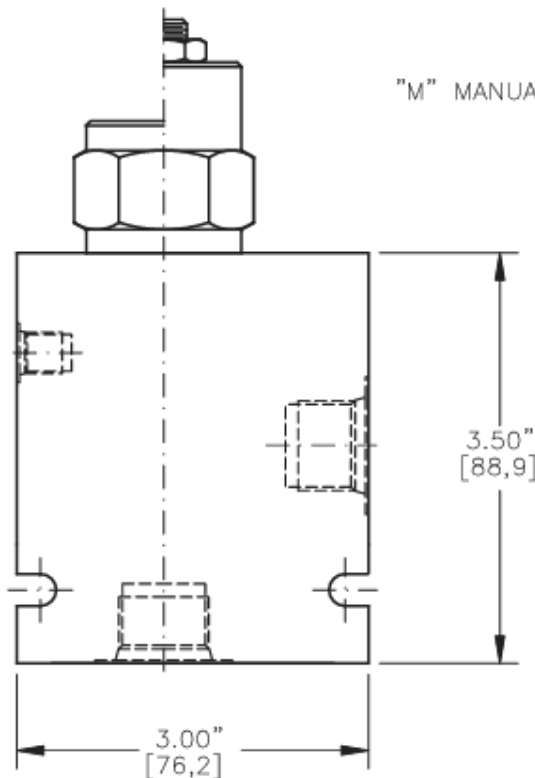
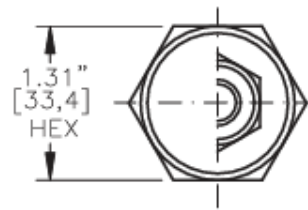
URL:<https://www.sxplc.com/check-valves-pocv-12-n-f-0-030>

Product data sheet

TORQUE:

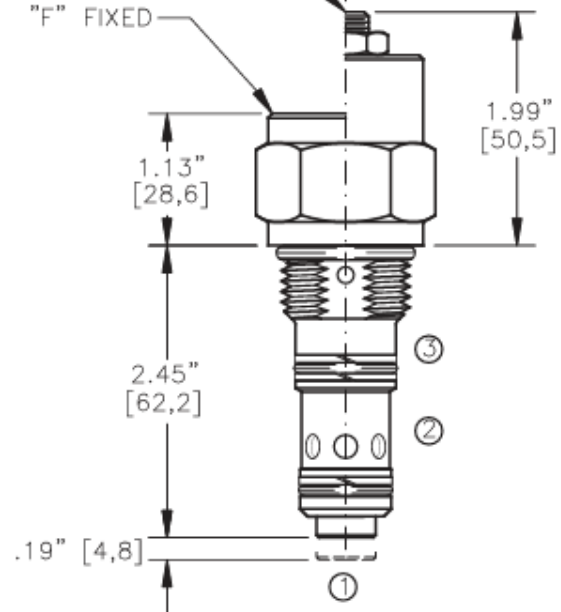
Steel = 70/75 Ft-Lb. [95/102 Nm]

Aluminum = 55/60 Ft-Lb. [74/81 Nm]



"M" MANUAL LOAD RELEASE
1/2" [12,7] HEX

"F" FIXED



NOTE: CAVITY BOTTOM HOLE MUST ALLOW FOR POPPET EXTENSION (.750 DIA.).
FOR ALUMINUM OR STEEL VALVE HOUSING CONFIGURATIONS SEE PAGE 0-023-1.

POCI-12-X-X-X-XXX

BASIC

SIZE

12 = 1.062"-12 UNF

SEALS

N = BUNA "N"

V = VITON

ADJUSTMENT

F = FIXED

M = MANUAL RELEASE

CRACK PRESSURE

010 = 10 PSI

030 = 30 PSI

060 = 60 PSI

PORTS

0 = CARTRIDGE ONLY

04BX = G 1/2" BSPP

06BX = G 3/4" BSPP

10TX = SAE - #10

12TX = SAE - #12

"A" - ALUM. HOUSING

"S" - STEEL HOUSING

